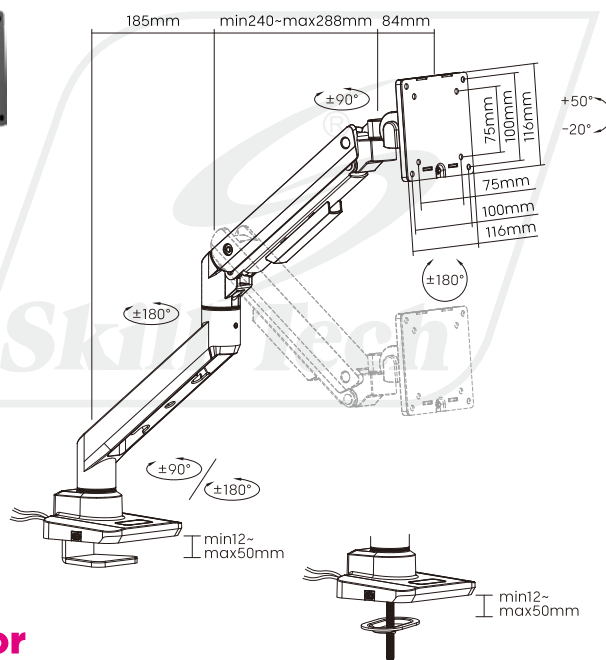


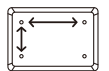
SH69 C012UC B

Heavy-Duty Counterbalance Monitor Arm

Fits most 17"-49" flat & curved Monitors



Screen Size
17"-49"



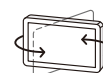
VESA Compatible
75x75 100x100



Weight Capacity
2-20kg/4.4-44lbs



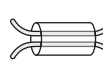
Tilt Range
+50° - -20°



Swivel Range
+90° - -90°



Screen Rotation
+180° - -180°

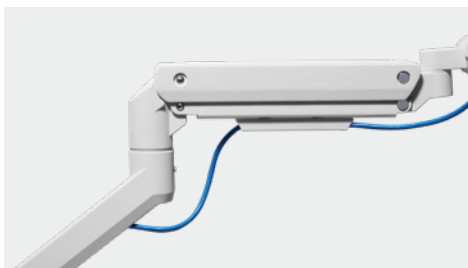


Cable Management



Curved Monitor

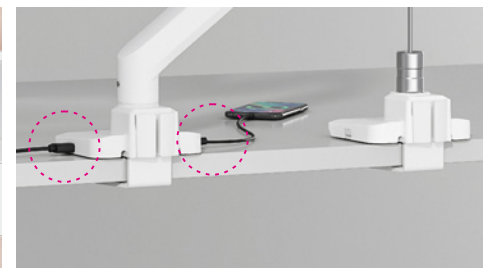
Combine health, convenience, and décor in one solution.



Cable Management keeps everything organized.



Easy topside installation needs no more crawling under desks.



USB-A/USB-C ports are convenient for data transmission and charging.